

SHELL SIZE	A	B	C	EYELET REF.	D
1	35,3	13,0	25,0	00	NA
2	43,7	13,0	33,3	01	3,2
3	57,4	13,0	47,0	02	3,7
4	73,7	13,0	63,5	03	4,3
5	71,4	15,8	61,1	04	5,3
6	73,7	17,3	63,5	05	6,4

100P657-3G-1-C-WR4-03

SERIES _____

SHELL SIZE _____

OPTIONAL GASKET _____


MATERIAL _____

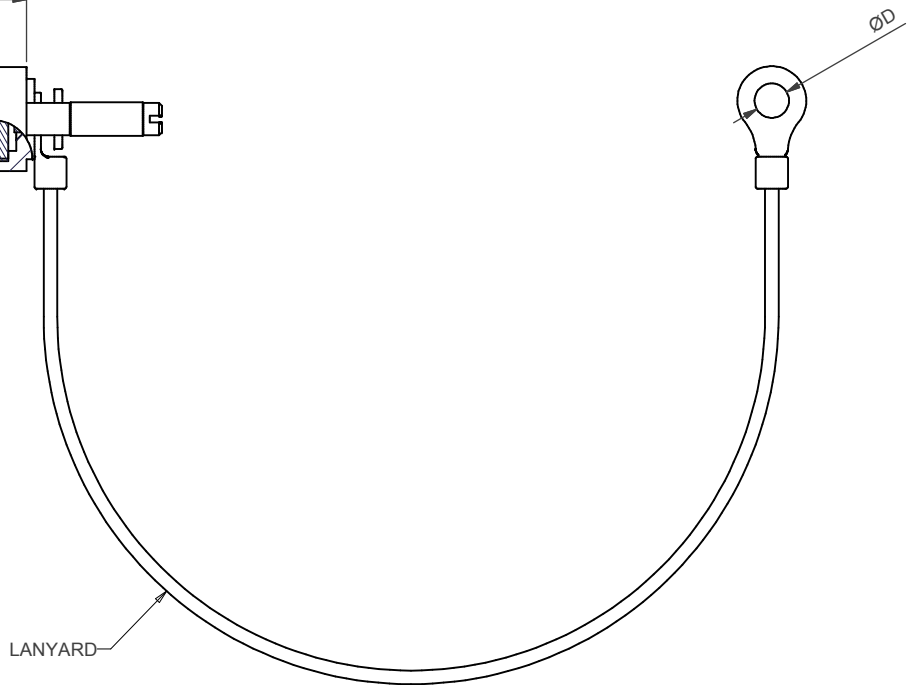
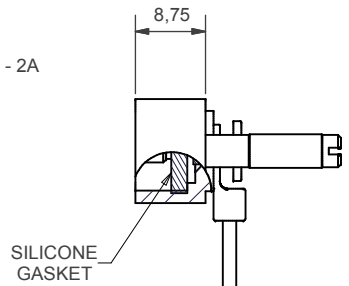
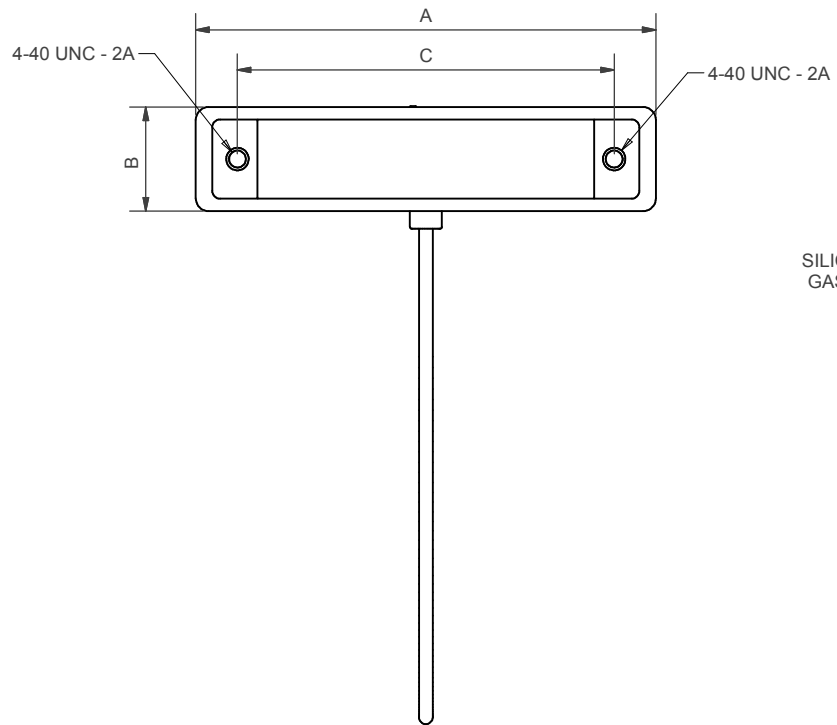
PLATING _____

LANYARD TYPE _____

LANYARD LENGTH _____

EYELET REF. _____

DUST COVER	SERIES 100P657
	TO FIT CONNECTOR MIL-C-24308
THIS DRAWING IS THE COPYRIGHT AND THE PROPERTY OF POLAMCO LTD. IT MUST NOT BE COPIED, USED FOR MANUFACTURE OR OTHERWISE DISCLOSED WITHOUT WRITTEN CONSENT OF THE COMPANY	
 POLAMCO LTD	WESTON LOCK LOWER BRISTOL ROAD BATH BA2 1EP



SHELL SIZE	A	B	C	EYELET REF.	D
1	35,3	13,0	25,0	00	NA
2	43,7	13,0	33,3	01	3,2
3	57,4	13,0	47,0	02	3,7
4	73,7	13,0	63,5	03	4,3
5	71,4	15,8	61,1	04	5,3
6	73,7	17,3	63,5	05	6,4

100P673-3G-1-C-WR4-03

SERIES	_____
SHELL SIZE	_____
OPTIONAL GASKET	_____
MATERIAL	_____
PLATING	_____
LANYARD TYPE	_____
LANYARD LENGTH	_____
EYELET REF.	_____

DUST COVER	SERIES 100P673
	TO FIT CONNECTOR MIL-C-24308
THIS DRAWING IS THE COPYRIGHT AND THE PROPERTY OF POLAMCO LTD. IT MUST NOT BE COPIED, USED FOR MANUFACTURE OR OTHERWISE DISCLOSED WITHOUT WRITTEN CONSENT OF THE COMPANY	
	POLAMCO LTD
	WESTON LOCK LOWER BRISTOL ROAD BATH BA2 1EP